

## testing: savamala generator

The Savamala Generator workshop is an experimental building workshop in public space taking place in June 2013. For this workshop we designed a set of modules that can be assembled to pieces of furniture as well as microarchitectures. The material used is collected material from abandoned apartments and second hand material from building sites.

For the production of the different types of building elements the storefront in Crnogorska 5 is further refurbished and converted in a little carpenter's shop.

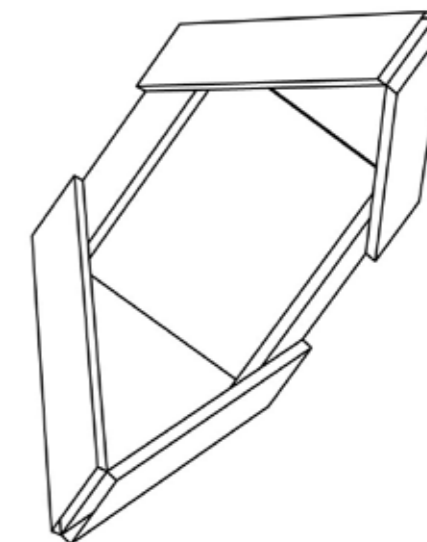
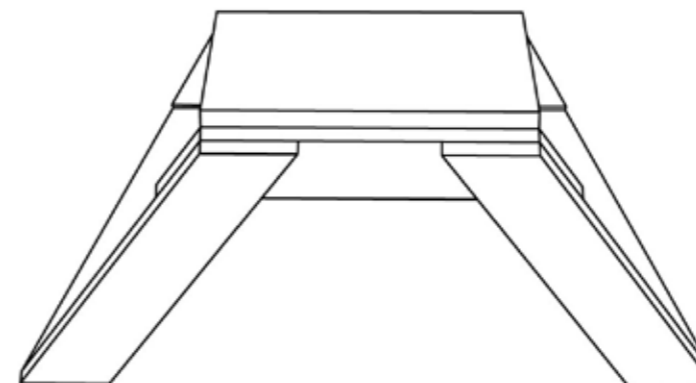
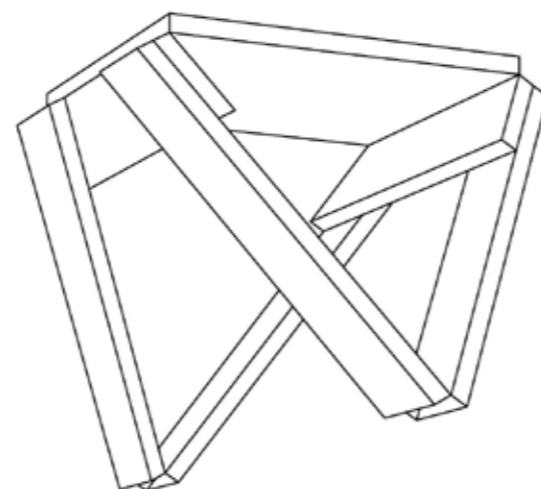
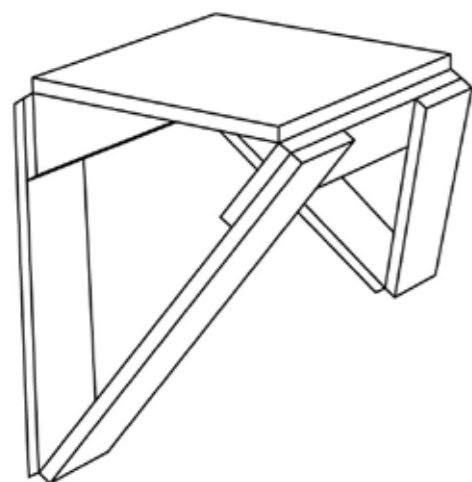
From Wednesday 26th of June people are invited to build, bring in ideas for variations on the principle and uses. Possible uses range from private uses to the reconfiguration of the courtyard space in Crnogorska 5 as well as placemaking in public spaces.

On Thursday 27th of June the prefabricated modules are taken to the river banks of Sava close to the Spanish house and the modules are tested as building material to create microarchitectures for the public space. A manual sketchbook with a variety of configurations is handed out to participants and further possibilities are developed and discussed.

The building with the prefabricated modules follows the principle of the game „broken telephone“, i.e. the start of the building is set by a group of people and the going on with it by another group. As soon as the material is used up the beginning of the construction will be dismantled in order to serve the material for the ongoing at the other

end. This way there will be a variety of different configurations tested throughout the whole day. At the end of the day we want to end up with a communicative situation for talking eating and drinking.

MODULE A



MODULE B

